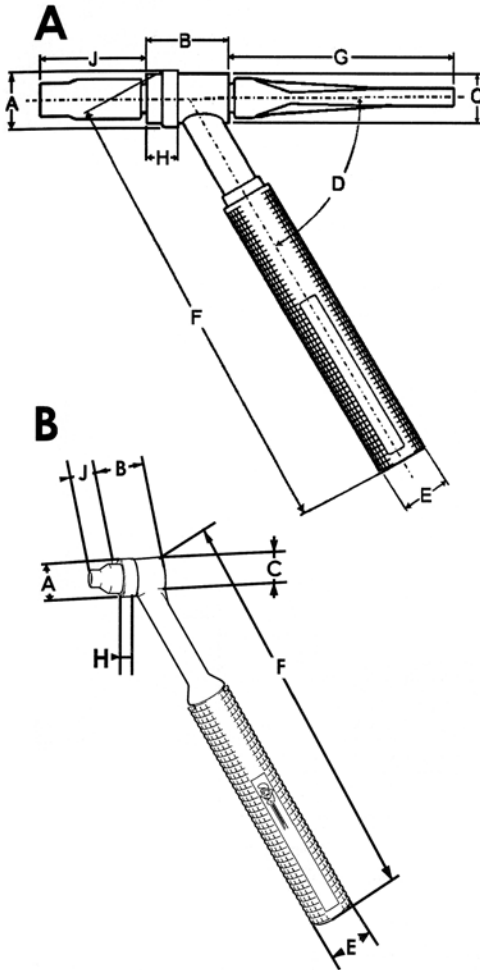




**THE STANDARD  
IN TIG WELDING**

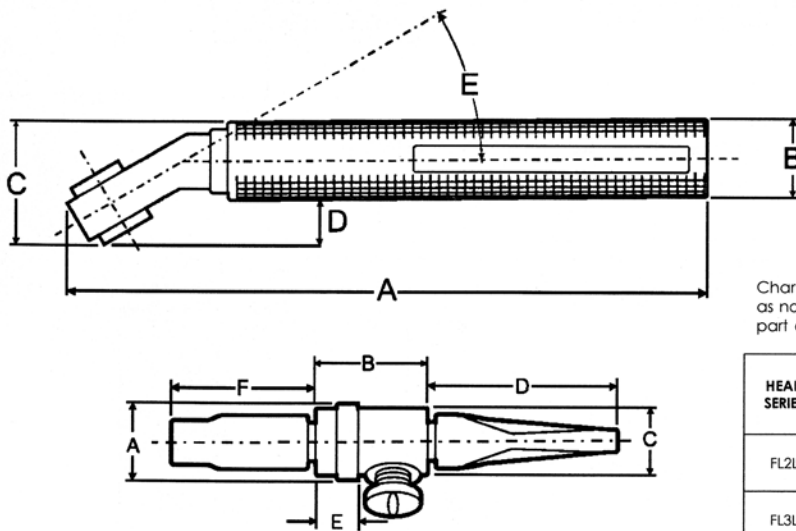
**MANUAL TIG TORCH DIMENSIONS**

Chart shows dimensions with standard consumable parts as normally supplied. With items A, G, H, and J, as changes in part occur dimensional changes also occur.



| TORCH MODEL          | DRAWING LETTER | "A" DIAMETER OF HEATSHIELD | "B" LENGTH OF HEAD | "C" DIAMETER OF HEAD | "D" ANGLE OF HEAD | "E" DIAMETER OF HANDLE | "F" LENGTH OF TORCH | "G" LENGTH OF BACKCAP | "H" WIDTH OF HEATSHIELD | "J" LENGTH OF CUP |
|----------------------|----------------|----------------------------|--------------------|----------------------|-------------------|------------------------|---------------------|-----------------------|-------------------------|-------------------|
| CK80, CK24 RG        | B              | 0.75" (19.05 mm)           | 0.59" (14.99 mm)   | 0.59" (14.99 mm)     | 60°               | 0.75" (19.05 mm)       | 8.25" (209.55 mm)   | N/A                   | 0.25" (6.35 mm)         | 0.63" (16 mm)     |
| CK90, CK24 FX        | B              | 0.75" (19.05 mm)           | 0.75" (19.05 mm)   | 0.59" (14.99 mm)     | 90°               | 0.75" (19.05 mm)       | 8" (203.2 mm)       | N/A                   | 0.25" (6.35 mm)         | 0.63" (16 mm)     |
| CK9, CK100           | A              | 0.75" (19.05 mm)           | 0.86" (21.84 mm)   | 0.75" (19.05 mm)     | 70°               | 0.75" (19.05 mm)       | 7.63" (193.80 mm)   | 1.75" (44.45 mm)      | 0.28" (7.11 mm)         | 1.16" (29.46 mm)  |
| CK130                | A              | 0.75" (19.05 mm)           | 0.86" (21.84 mm)   | 0.75" (19.05 mm)     | 90°               | 0.75" (19.05 mm)       | 8" (203.2 mm)       | 1.75" (44.45 mm)      | 0.28" (7.11 mm)         | 1.16" (29.46 mm)  |
| CK150 RG, CK17 RG    | A              | 1" (25.4 mm)               | 1.5" (38.1 mm)     | 0.86" (21.84 mm)     | 70°               | 0.9" (22.86 mm)        | 8" (203.2 mm)       | 0.375" (9.53 mm)      | 0.54" (13.72 mm)        | 1.84" (46.74 mm)  |
| CK150V RG, CK17V RG  | A              | 1" (25.4 mm)               | 1.5" (38.1 mm)     | 0.86" (21.84 mm)     | 70°               | 0.9" (22.86 mm)        | 8.38" (212.85 mm)   | 0.375" (9.53 mm)      | 0.54" (13.72 mm)        | 1.84" (46.74 mm)  |
| CK150 FX, CK17 FX    | A              | 1" (25.4 mm)               | 1.5" (38.1 mm)     | 0.86" (21.84 mm)     | 70°               | 0.9" (22.86 mm)        | 8.75" (222.25 mm)   | 0.375" (9.53 mm)      | 0.54" (13.72 mm)        | 1.84" (46.74 mm)  |
| CK150V FX, CK150V FX | A              | 1" (25.4 mm)               | 1.5" (38.1 mm)     | 0.86" (21.84 mm)     | 70°               | 0.9" (22.86 mm)        | 9.25" (234.95 mm)   | 0.375" (9.53 mm)      | 0.54" (13.72 mm)        | 1.84" (46.74 mm)  |
| CKC150               | A              | 1" (25.4 mm)               | 1.5" (38.1 mm)     | 0.86" (21.84 mm)     | 70°               | 0.9" (22.86 mm)        | 8" (203.2 mm)       | 0.375" (9.53 mm)      | 0.54" (13.72 mm)        | 1.84" (46.74 mm)  |
| CKC150V              | A              | 1" (25.4 mm)               | 1.5" (38.1 mm)     | 0.86" (21.84 mm)     | 70°               | 0.9" (22.86 mm)        | 9" (228.6 mm)       | 0.375" (9.53 mm)      | 0.54" (13.72 mm)        | 1.84" (46.74 mm)  |
| CK180, CK24W         | B              | 0.75" (19.05 mm)           | 0.59" (14.99 mm)   | 0.59" (14.99 mm)     | 60°               | 0.75" (19.05 mm)       | 8.25" (209.55 mm)   | N/A                   | 0.25" (6.35 mm)         | 0.63" (16 mm)     |
| CK20, CK200          | A              | 0.75" (19.05 mm)           | 0.86" (21.84 mm)   | 0.75" (19.05 mm)     | 70°               | 0.75" (19.05 mm)       | 7.63" (193.80 mm)   | 1.75" (44.45 mm)      | 0.28" (7.11 mm)         | 1.16" (29.46 mm)  |
| CKT200               | A              | N/A                        | 0.58" (14.73 mm)   | 0.37" (9.40 mm)      | 90°               | 0.75" (19.05 mm)       | 14.94" (379.48 mm)  | 0.3" (7.62 mm)        | N/A                     | 0.7" (17.78 mm)   |
| CKT200-S             | A              | N/A                        | 0.58" (14.73 mm)   | 0.37" (9.40 mm)      | 90°               | 0.75" (19.05 mm)       | 11.13" (282.70 mm)  | 0.3" (7.62 mm)        | N/A                     | 0.7" (17.78 mm)   |
| CK26 FX, CK210 FX    | A              | 1" (25.4 mm)               | 1.5" (38.1 mm)     | 0.86" (21.84 mm)     | 70°               | 1.1" (27.94 mm)        | 9.63" (244.60 mm)   | 0.375" (9.53 mm)      | 0.54" (13.72 mm)        | 1.84" (46.74 mm)  |
| CK26V FX, CK210V FX  | A              | 1" (25.4 mm)               | 1.5" (38.1 mm)     | 0.86" (21.84 mm)     | 70°               | 1.1" (27.94 mm)        | 10.38" (263.65 mm)  | 0.375" (9.53 mm)      | 0.54" (13.72 mm)        | 1.84" (46.74 mm)  |
| CK26 RG, CK210 RG    | A              | 1" (25.4 mm)               | 1.5" (38.1 mm)     | 0.86" (21.84 mm)     | 70°               | 1.1" (27.94 mm)        | 9.25" (234.95 mm)   | 0.375" (9.53 mm)      | 0.54" (13.72 mm)        | 1.84" (46.74 mm)  |
| CK26V RG, CK210V RG  | A              | 1" (25.4 mm)               | 1.5" (38.1 mm)     | 0.86" (21.84 mm)     | 70°               | 1.1" (27.94 mm)        | 9.38" (238.52 mm)   | 0.375" (9.53 mm)      | 0.54" (13.72 mm)        | 1.84" (46.74 mm)  |
| CK230                | A              | 0.75" (19.05 mm)           | 0.86" (21.84 mm)   | 0.75" (19.05 mm)     | 70°               | 0.9" (22.86 mm)        | 8.25" (209.55 mm)   | 1.75" (44.45 mm)      | 0.28" (7.11 mm)         | 1.16" (29.46 mm)  |
| TL18, TL300          | A              | 1" (25.4 mm)               | 1.5" (38.1 mm)     | 0.86" (21.84 mm)     | 70°               | 0.9" (22.86 mm)        | 8" (203.2 mm)       | 4" (101.6 mm)         | 0.54" (13.72 mm)        | 1.84" (46.74 mm)  |
| CK18, CK300          | A              | 1" (25.4 mm)               | 1.5" (38.1 mm)     | 0.86" (21.84 mm)     | 70°               | 1.1" (27.94 mm)        | 9.25" (234.95 mm)   | 4" (101.6 mm)         | 0.54" (13.72 mm)        | 1.84" (46.74 mm)  |
| CK510                | A              | 1.25" (31.75 mm)           | 1.58" (40.13 mm)   | 0.86" (21.84 mm)     | 70°               | 1.1" (27.94 mm)        | 9.38" (238.52 mm)   | 4" (101.6 mm)         | 0.56" (14.22 mm)        | 1.88" (47.72 mm)  |

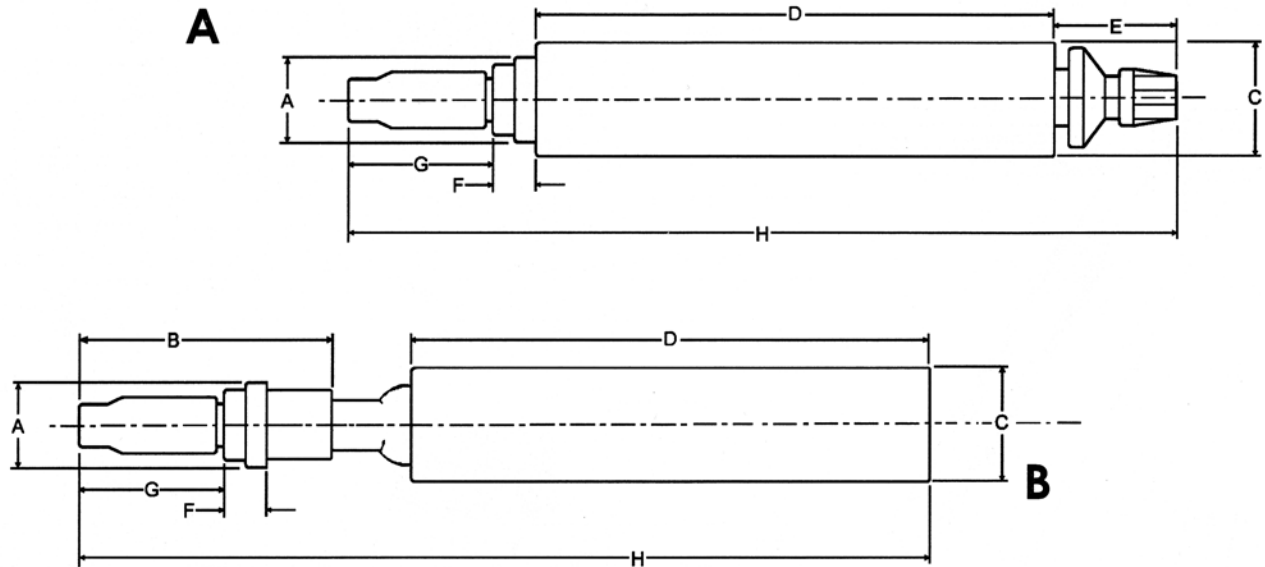
**FLEX-LOC TIG TORCH DIMENSIONS**



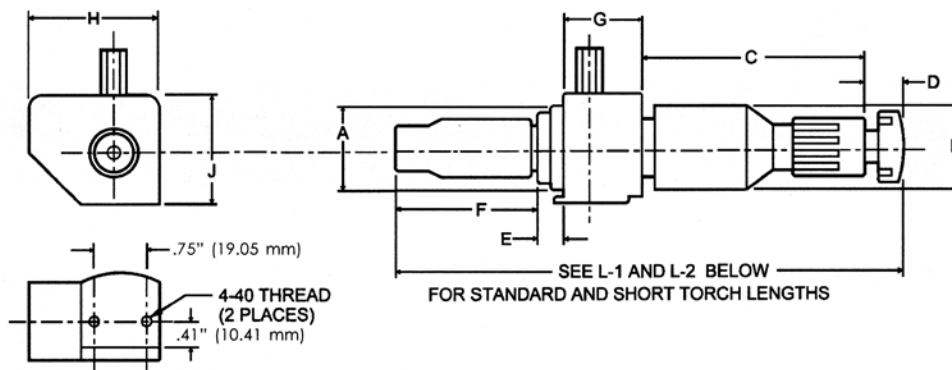
| TORCH MODEL           | "A" LENGTH OF TORCH | "B" DIAMETER OF HANDLE | "C" WIDTH OF TORCH | "D" OFFSET OF HEAD | "E" ANGLE OF HEAD |
|-----------------------|---------------------|------------------------|--------------------|--------------------|-------------------|
| WATER COOLED          | 7" (177.8 mm)       | 0.75" (19.05 mm)       | 1.41" (35.81 mm)   | 0.65" (16.51 mm)   | 60°               |
| GAS COOLED            | 7" (177.8 mm)       | 0.75" (19.05 mm)       | 1.41" (35.81 mm)   | 0.65" (16.51 mm)   | 60°               |
| GAS COOLED WITH VALVE | 8" (203.2 mm)       | 0.9" (22.86 mm)        | 1.53" (38.86 mm)   | 0.56" (14.22 mm)   | 60°               |

Chart shows dimensions with standard consumable parts as normally supplied. With items D, E, and F, as changes in part occur dimensional changes also occur.

| HEAD SERIES | "A" DIAMETER OF HEATSHIELD | "B" LENGTH OF HEAD | "C" DIAMETER OF HEAD | "D" LENGTH OF BACKCAP | "E" WIDTH OF HEATSHIELD | "F" LENGTH OF CUP |
|-------------|----------------------------|--------------------|----------------------|-----------------------|-------------------------|-------------------|
| FL2L        | 0.75" (19.05 mm)           | 0.86" (21.84 mm)   | 0.75" (19.05 mm)     | 1.75" (44.45 mm)      | 0.28" (7.11 mm)         | 1.16" (29.46 mm)  |
| FL3L        | 1" (25.4 mm)               | 1.5" (38.1 mm)     | 0.86" (21.84 mm)     | 0.375" (9.53 mm)      | 0.54" (13.72 mm)        | 1.84" (46.74 mm)  |

**BARREL STYLE MACHINE TORCH DIMENSIONS**


| TORCH MODEL | DRAWING LETTER | "A" DIAMETER OF HEATSHIELD | "B" LENGTH OF HEAD  | "C" DIAMETER OF HANDLE | "D" LENGTH OF HANDLE | "E" LENGTH OF BACKCAP | "F" WIDTH OF HEATSHIELD | "G" LENGTH OF CUP   | "H" LENGTH OF TORCH   |
|-------------|----------------|----------------------------|---------------------|------------------------|----------------------|-----------------------|-------------------------|---------------------|-----------------------|
| CKM230      | B              | 0.75"<br>(19.05 mm)        | 0.93"<br>(23.62 mm) | 1.375"<br>(34.93 mm)   | 12"<br>(304.8 mm)    | N/A                   | 0.28"<br>(7.11 mm)      | 1.16"<br>(29.46 mm) | 15.27"<br>(387.86 mm) |
| CKM350      | B              | 1"<br>(25.4 mm)            | 1.5"<br>(38.1 mm)   | 1.375"<br>(34.93 mm)   | 12"<br>(304.8 mm)    | N/A                   | 0.54"<br>(13.72 mm)     | 1.84"<br>(46.74 mm) | 16.58"<br>(421.13 mm) |
| MT500-7     | A              | 1.25"<br>(31.75 mm)        | N/A                 | 1.375"<br>(34.93 mm)   | N/A                  | 1.36"<br>(34.54 mm)   | 0.58"<br>(14.72 mm)     | 1.84"<br>(46.74 mm) | 9.5"<br>(241.3 mm)    |
| MT500-18    | A              | 1.25"<br>(31.75 mm)        | N/A                 | 1.375"<br>(34.93 mm)   | N/A                  | 1.36"<br>(34.54 mm)   | 0.58"<br>(14.72 mm)     | 1.84"<br>(46.74 mm) | 19.75"<br>(501.65 mm) |

**COMPACT MT STYLE MACHINE TORCH DIMENSIONS**


| COLLET BODY SERIES | "A" DIAMETER OF HEATSHIELD | "B" DIAMETER OF ACM | "C" LENGTH OF ACM   | "D" LENGTH OF BACKCAP | "E" WIDTH OF HEATSHIELD | "F" LENGTH OF CUP   | "G" WIDTH OF BODY   | "H" LENGTH OF BODY  | "J" HEIGHT OF BODY  | "L-1" LENGTH OF TORCH W/ ACM | "L-2" LENGTH OF TORCH W/O ACM |
|--------------------|----------------------------|---------------------|---------------------|-----------------------|-------------------------|---------------------|---------------------|---------------------|---------------------|------------------------------|-------------------------------|
| 3CB*               | 1"<br>(25.4 mm)            | 0.83"<br>(21.09 mm) | 2.32"<br>(58.93 mm) | 0.4"<br>(10.16 mm)    | 0.55"<br>(13.97 mm)     | 1.84"<br>(46.74 mm) | 0.94"<br>(23.88 mm) | 1.64"<br>(41.66 mm) | 1.28"<br>(32.51 mm) | 6"<br>(152.4 mm)             | 4.15"<br>(105.41 mm)          |
| 4CB                | 1"<br>(25.4 mm)            | 0.83"<br>(21.09 mm) | 2.32"<br>(58.93 mm) | 0.4"<br>(10.16 mm)    | 0.55"<br>(13.97 mm)     | 1.16"<br>(29.46 mm) | 0.94"<br>(23.88 mm) | 1.64"<br>(41.66 mm) | 1.28"<br>(32.51 mm) | 5.25"<br>(133.35 mm)         | 3.3"<br>(83.82 mm)            |
| 3GL                | 1"<br>(25.4 mm)            | 0.83"<br>(21.09 mm) | 2.32"<br>(58.93 mm) | 0.4"<br>(10.16 mm)    | 0.94"<br>(23.88 mm)     | 1.61"<br>(40.89 mm) | 0.94"<br>(23.88 mm) | 1.64"<br>(41.66 mm) | 1.28"<br>(32.51 mm) | 6"<br>(152.4 mm)             | 4.15"<br>(105.41 mm)          |
| 4GL                | 1"<br>(25.4 mm)            | 0.83"<br>(21.09 mm) | 2.32"<br>(58.93 mm) | 0.4"<br>(10.16 mm)    | 0.42"<br>(10.67 mm)     | 1.01"<br>(25.65 mm) | 0.94"<br>(23.88 mm) | 1.64"<br>(41.66 mm) | 1.28"<br>(32.51 mm) | 5.1"<br>(129.54 mm)          | 3.12"<br>(79.25 mm)           |

\*MT torch shown with standard 3CB parts and ACM