




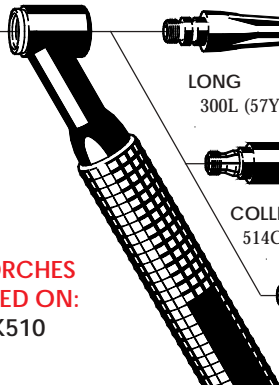
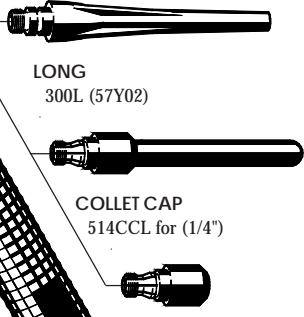


# TORCH HEAD ACCESSORIES



## 51 SERIES

CUP	COLLET BODY	NOSE BLOCK	COLLET	HEATSHIELD	TORCH	BACKCAP
 <p><b>ALUMINA</b>                      3AG6LD (57N75)                      3AG8LD (57N74)                      3AG10LD (53N88)                      3AG11LD (53N89)                      3AG12LD (53N87)</p>	 <p><b>STANDARD</b>                      51GL116                      51GL332                      51GL418                      51GL532                      51GL316                      51GL1400</p>	 <p><b>STANDARD</b>                      ANT35 (2310-1938)</p>	 <p><b>STANDARD</b>                      A116C35 (2304-0088)                      A332C35 (2304-0089)                      A418C35 (2304-0090)                      A532C35 (2304-0091)                      A316C35 (2304-0146)</p>	 <p><b>STANDARD</b>                      510HS</p>	 <p><b>TORCHES USED ON:</b>                      CK510</p>	 <p><b>LONG</b>                      300L (57Y02)</p> <p><b>COLLET CAP</b>                      514CCL for (1/4")</p> <p><b>SHORT</b>                      514CCS (1/4")</p>

- Nose block and collet are not needed when using 1/4" tungsten.
- 3 Series head accessories can be used when welding at 400 amps or less